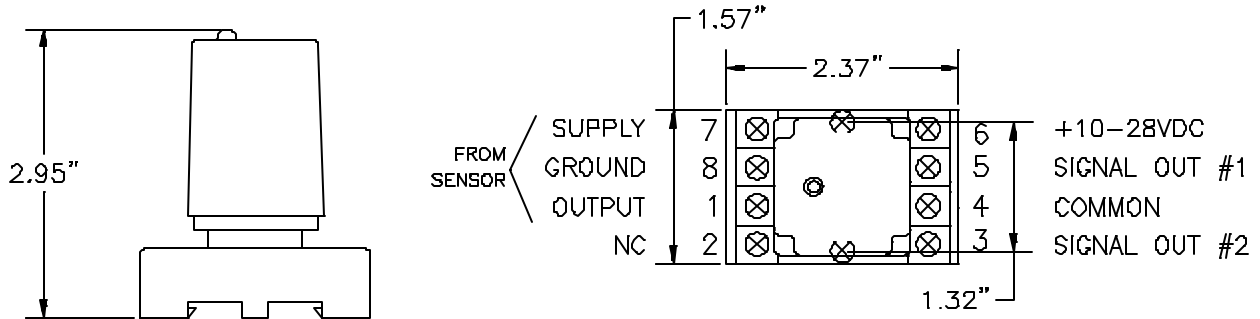


## LS-3v2 Signal Splitter

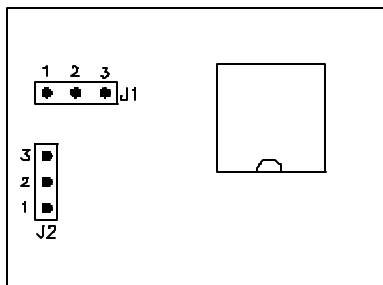
The LS-3v2 is a level shifter which takes the single output signal from a sensor and splits it into two output signals with different signal levels so that two monitoring devices may be used to monitor the same sensor signal. The output signal levels from the LS-3v2 are different from the sensor signal level so the signal can be made specific for the monitoring devices used. For example: The signal from a sensor supplied with +15Vdc can be split up into a 13V signal for an AW Company flow computer and a 5V signal for a PLC.



The module is built into a casing which plugs into an 8 pin octal style base. Wiring connections are made to the base which can be mounted by panel screws or using a DIN rail mount. To access the signal jumpers, J1 and J2, remove the casing from the octal base, then remove 4 screws to separate the case.

Signal #1 - For AW Company Equipment

Open Collector, sourcing  
With 3.3Kohm pull-up resistor  
No jumpers are required.



Signal #2 - 3 Options

J1: N/C & J2: 2,3  
Open collector, sinking 40mA max.

J1: 2,3 & J2: 1,2  
Open collector, sourcing with 3.3Kohm pull-up resistor

J1: 1,2 & J2: 1,2  
Open collector, sourcing with 3.3Kohm pull-up resistor and 5v clamping zener diode

**AW-Lake Company wire color code:**

Supply Voltage:	Red
Ground:	Black
Signal:	White

